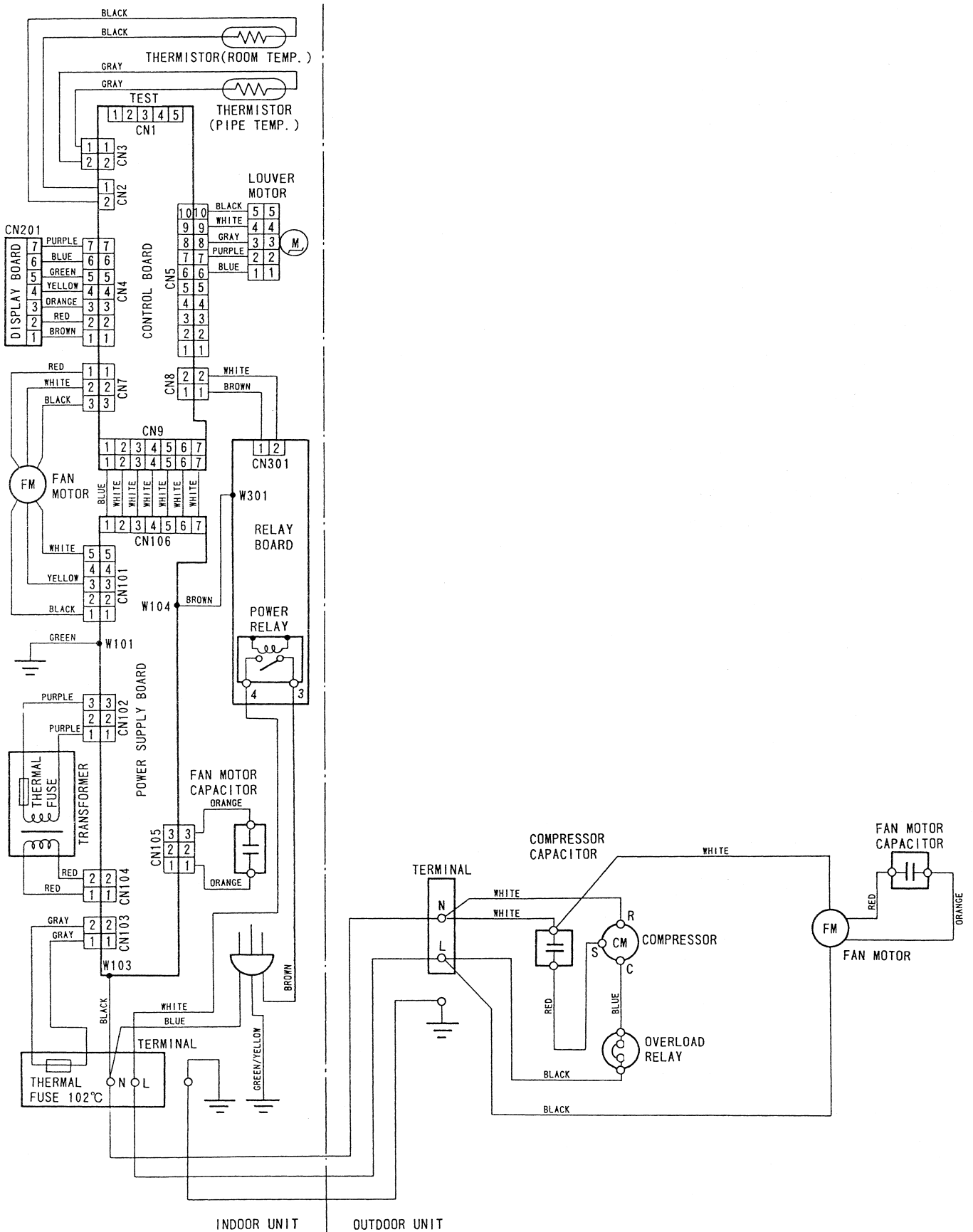


CIRCUIT DIAGRAM

Models : RSW-7A/ROW-7A



Models : RSW-7RA/ROW-7RA

