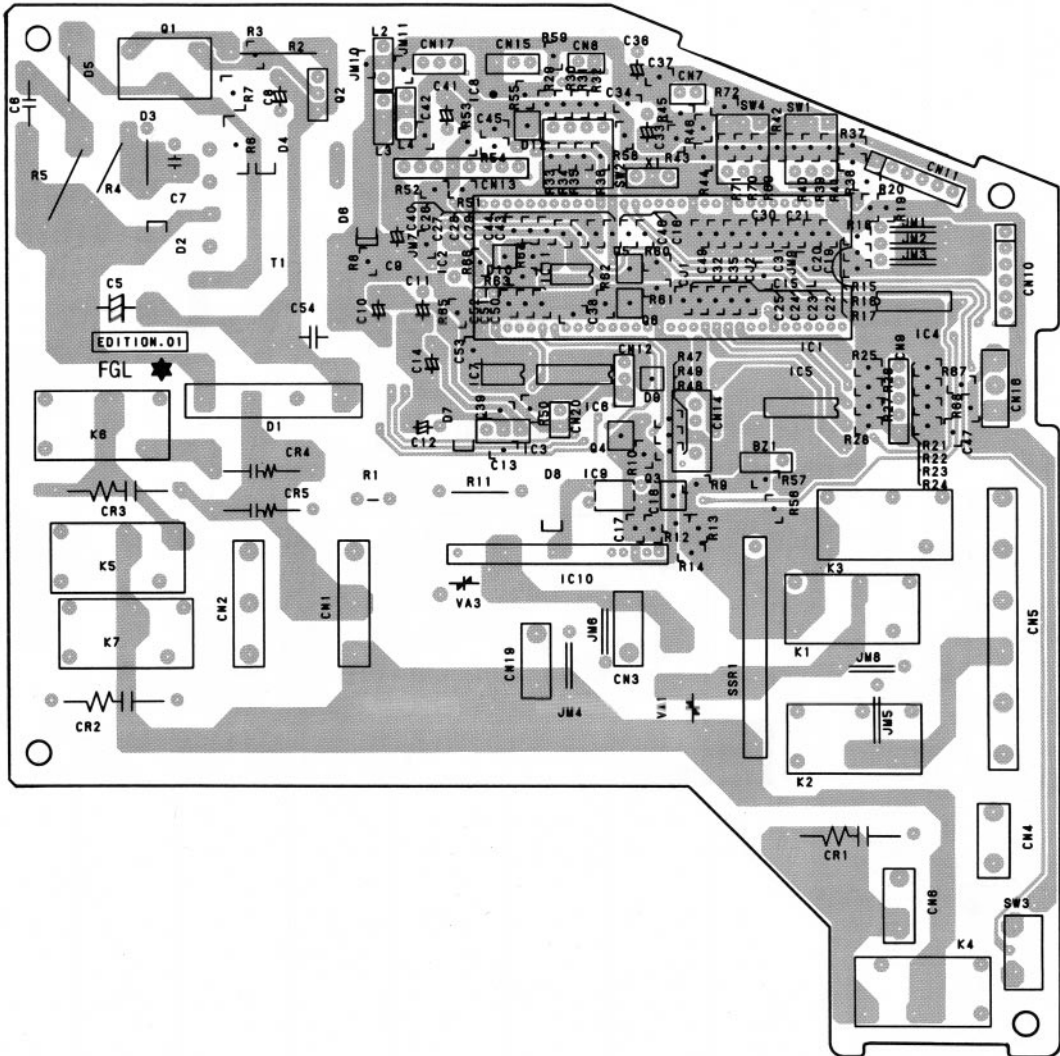


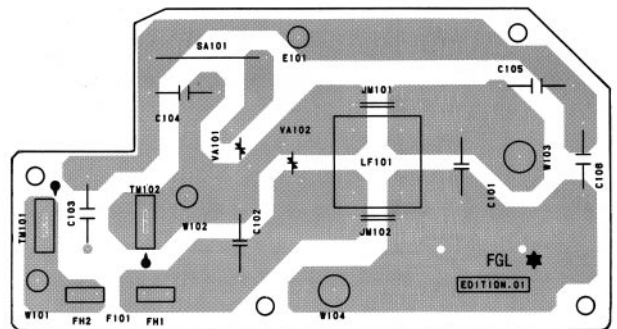
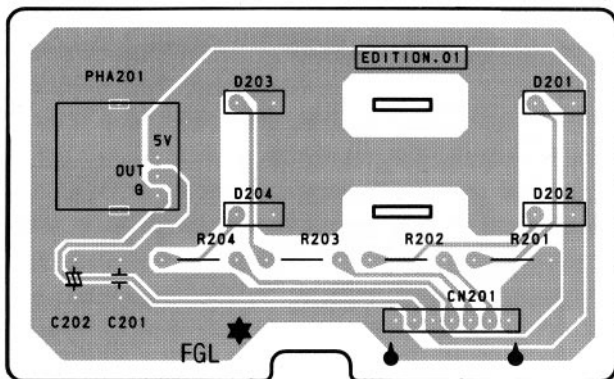
P.C. BOARD LAYOUTS

CONTROLLER PCB ASSEMBLY (Viewed from the solder side)

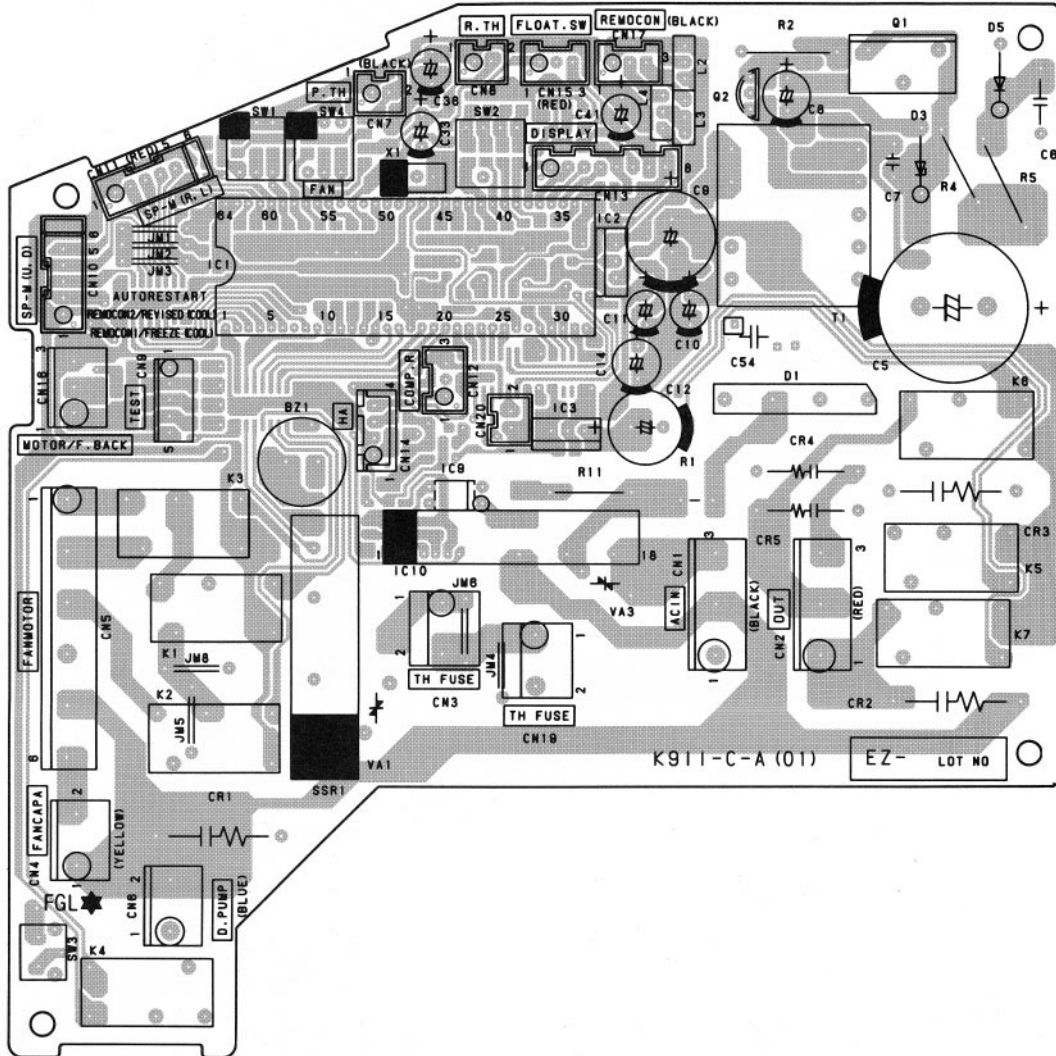


INDICATOR PCB ASSEMBLY
(Viewed from the solder side)

FILTER PCB ASSEMBLY
(Viewed from the solder side)



CONTROLLER PCB ASSEMBLY
(Viewed from the component side)



INDICATOR PCB ASSEMBLY
(Viewed from the component side)

FILTER PCB ASSEMBLY
(Viewed from the component side)

